

5551™

HEAVY DUTY BRUSHLESS ALTERNATOR





WE START THE WORLD & KEEP IT RUNNING™

555I™

Powerful. Durable. Efficient. Compact.

From 12 Volt applications such as utility & work trucks, fire trucks, and long haul trucks with auxiliary power units to 24 Volt applications like wheel loaders, graders and mining equipment, the 555I is designed to take on the demanding electrical loads of today's heavy duty vehicles.

Powerful – 12 Volt 420 Amp and 24 Volt 250 and 275 Amp models provide high output performance at engine idle for applications with significant electrical loads.

Durable – Brushless design has fewer moving parts. Fewer moving parts mean less wear and longer life. This is backed by a 3 year/unlimited miles aftermarket warranty.

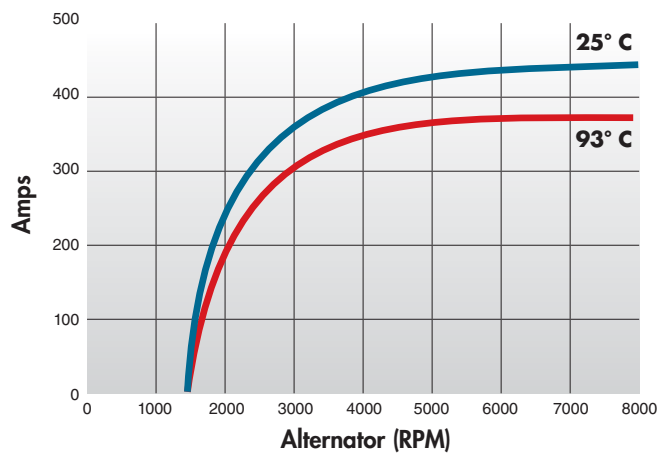
Efficient – 80% efficient - high efficiency translates to less engine horsepower requirements, resulting in substantial fuel savings.

Compact – Weighing in at 43 pounds with the frame length of only 8 inches, freeing up engine mounting space.

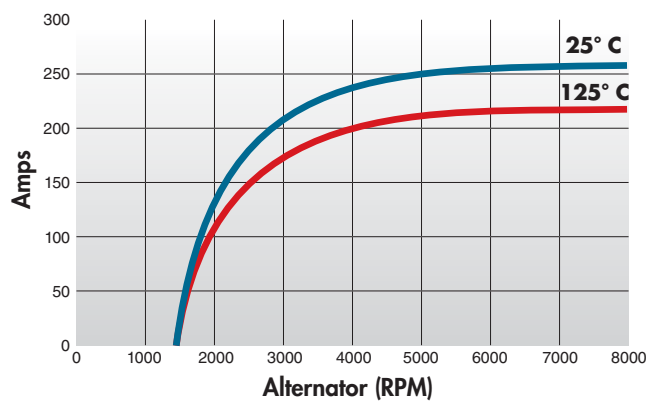
SPECIFICATIONS	
Performance Output	12 Volt: 420 Amps 24 Volt: 250 & 275 Amps
Maximum Speed	8,000 RPM Continuous 9,000 RPM Intermittent
Rotation	Clockwise
Temperature Limits	250 Amp - 125°C/257°F 275 Amp - 110°C/230°F 420 Amp - 93°C/200°F
Polarity	Negative Ground
Mounting	Pad
Efficiency	80%
Weight	43.2 lbs (19.6 kg)
Overall Length	11.25 in (285.9 mm)
Stator Diameter	6.9 in (175 mm)
Remote Sense	Standard



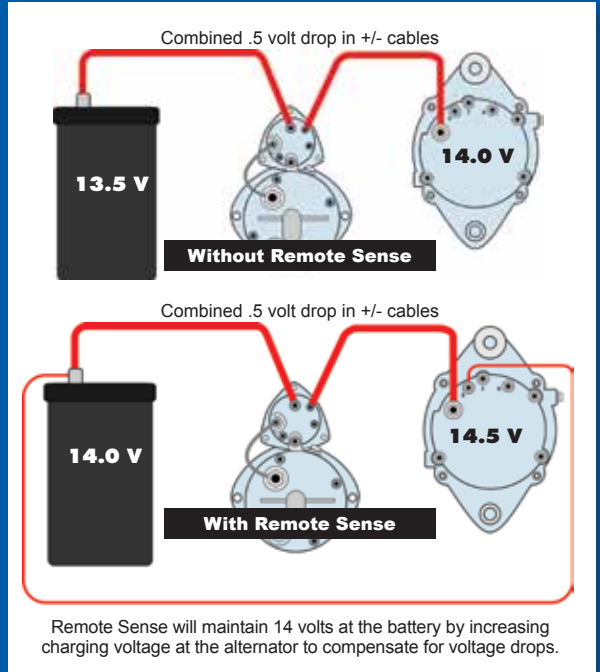
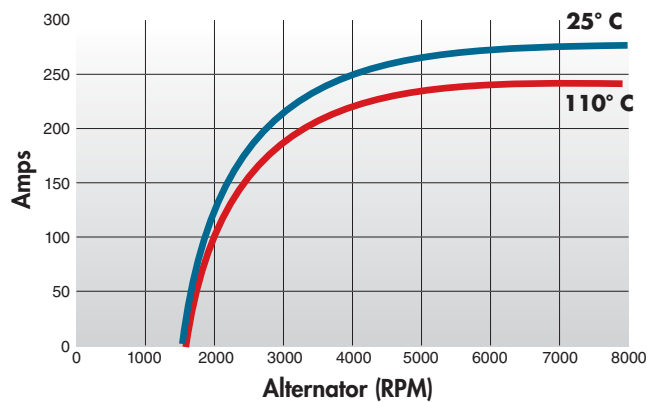
12V 420 AMP PERFORMANCE CURVES



24V 250 AMP PERFORMANCE CURVES



24V 275 AMP PERFORMANCE CURVES



REMOTE SENSE CAN REDUCE BATTERY CHARGE TIME BY 50%

As with the family of Delco Remy high output alternators, the 55SI is equipped with Remote Sense which utilizes a second wire that reads the actual voltage at the battery.

This signals the alternator to boost its output to compensate for the voltage drop, ensuring 14 Volts at the battery.

The proper voltage forces more current into the battery bringing it to a full state of charge between vehicle stops.

WARRANTY
3 years -
Unlimited miles

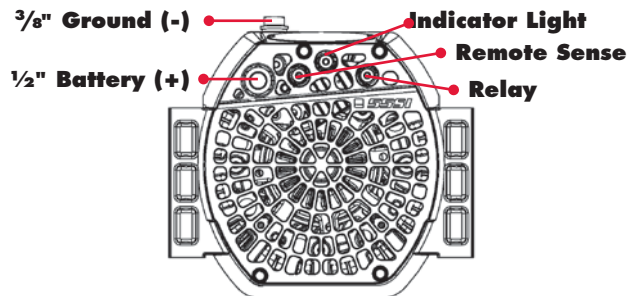
55SI Heavy Duty Brushless Alternator

MODEL INFORMATION

Model	Part #	B+ Terminal	Applications
12V 420 Amp	8600529	1/2"	Fire trucks and medium & heavy duty trucks
24V 250 Amp	8600581	5/16"	Transit and off-highway vehicles
24V 275 Amp	8600580	5/16"	Transit and off-highway vehicles



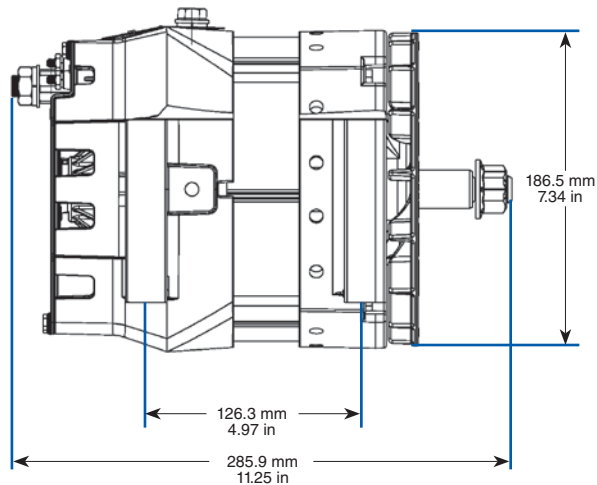
INSTALLATION INFORMATION



55SI™

**Powerful. Durable.
Efficient. Compact.**

PAD MOUNT



**Part numbers fast
at delcoremy.com**

Remy International, Inc. is a leading global manufacturer of Delco Remy brand heavy duty starters and alternators, light duty starters and alternators, and electric motor technology for EV and hybrid vehicles. We lead with product innovation and performance – you win with trusted, knowledgeable support.

Remy International, Inc.
600 Corporation Drive
Pendleton, IN 46064 USA
For Technical Assistance call 1-800-372-0222



delcoremy.com

Delco Remy is a registered trademark of General Motors Corporation
licensed to Remy International, Inc., Pendleton, IN 46064 | C11134 | 5-12